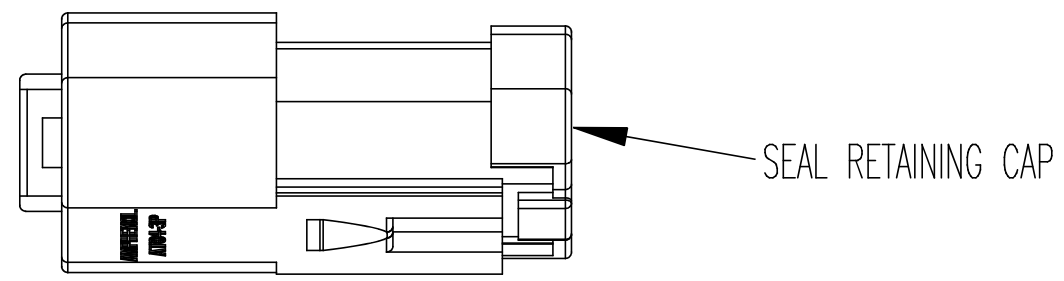


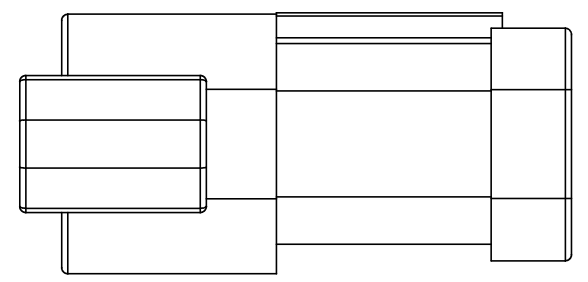
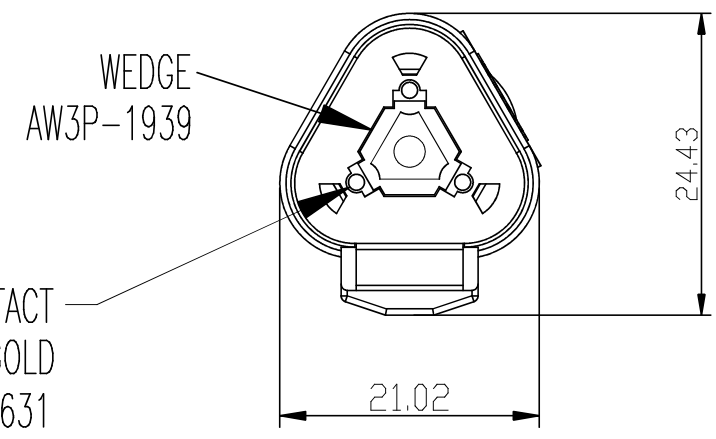
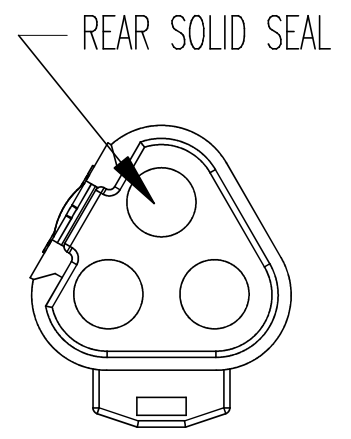
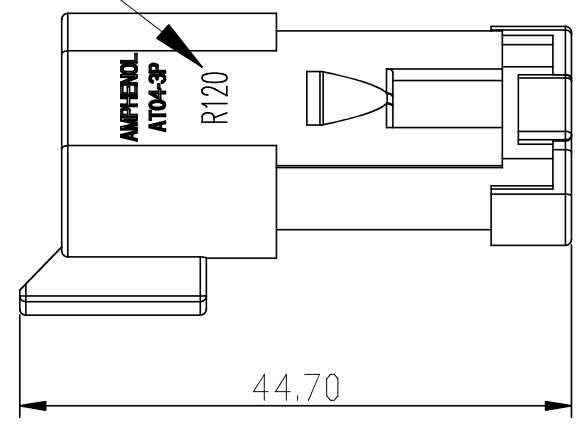
REVISIONS						
REV	ZONE	ECO	DESCRIPTION	DATE	BY	APPR
02	--	--	UPDATE CONTACT PART NUMBER	06MAR12	--	RFC
03	--	--	UPDATE DRAWING FORMAT	06NOV13	DRP	DRP

NOTES: UNLESS OTHERWISE SPECIFIED

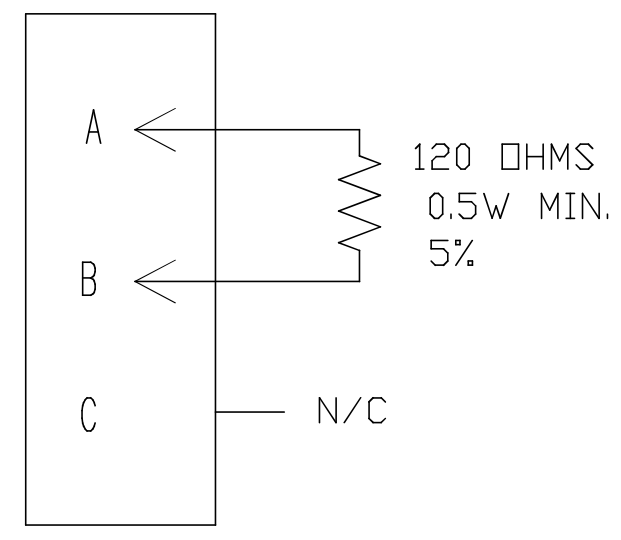
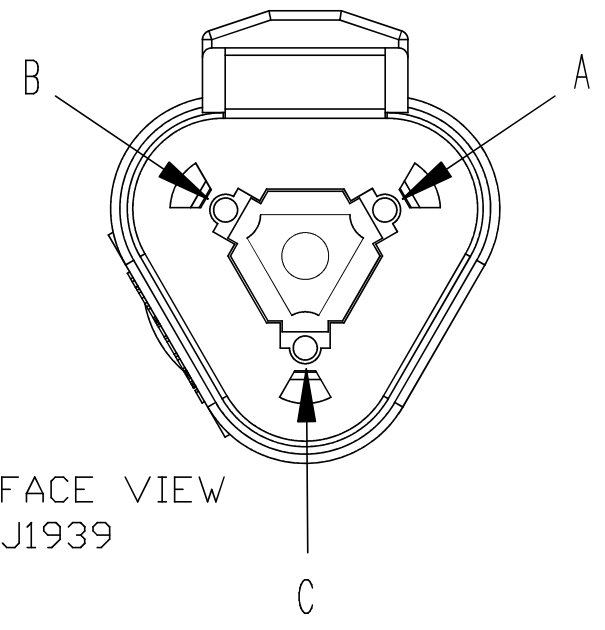
- 1 DIMENSIONS ARE FOR REFERENCE ONLY.
- 2 PART NUMBER AT04-3P-RJ120BK IS FULLY ASSEMBLED READY FOR INSTALLATION.
- 3 COLOR TO BE SINE SYSTEMS STANDARD 'AT' BLACK.



LASER MARK "R120"  
RESISTOR VALUE



WIRING DIAGRAM



*CUSTOMER DRAWING*

ITEM	PART NUMBER	Qty	DESCRIPTION	REMARK
<b>MATERIALS LIST</b>				
UNLESS OTHERWISE SPECIFIED 1) All dimensions are in metric(mm). 2) Tolerances are as follows: 1 PL DEC ±0.20 2 PL DEC ±0.10 3 PL DEC ±0.05			MATERIAL SPECIFICATIONS:	<b>SINE Systems Corporation</b> A Subsidiary of Amphenol Corporation
SIGNATURE			PROCESS SPECIFICATIONS: IPC-A-620	
DATE			RECEIPT, 3 WAY, J1939, 120 OHM, BLACK	
DRAWN	R. CURRY	02-MAR-12		
CHECKED	R. CURRY	02-MAR-12		
ENGINEER	R. CURRY	02-MAR-12		
APPROVAL	R. CURRY	02-MAR-12	DWG NO. AT04-3P-RJ120BK	
CUSTOMER	ALL			
THIS DRAWING IS SUPPLIED FOR INFORMATION ONLY. DESIGN FEATURES, SPECIFICATIONS AND PERFORMANCE DATA SHOWN HEREON ARE THE PROPERTY OF THE AMPHENOL CORPORATION. NO RIGHTS OF REPRODUCTION ARE IMPLIED. ALL DIMENSIONS ARE SUBJECT TO NORMAL MANUFACTURING VARIATIONS.			THIRD ANGLE PROJECTION	FSCM NO.
			SIZE	MASS
			REV.	SCALE
			A3	03
			NEXT ASSY:	
			SHEET 1 OF 1	

# Mouser Electronics

Authorized Distributor

Click to View Pricing, Inventory, Delivery & Lifecycle Information:

[Amphenol:](#)

[AT04-3P-RJ120BK](#)