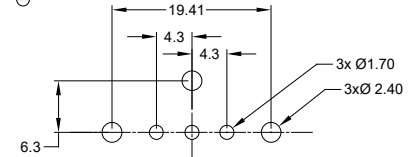
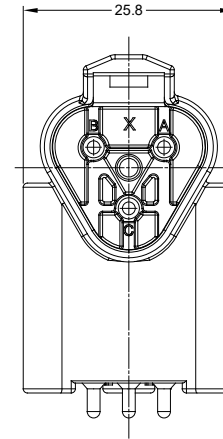


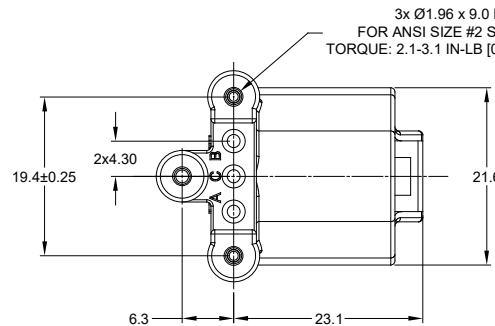
| REVISIONS | | | | | |
|-----------|-----|----------------------|-----------|-------|-------|
| REV | ECO | DESCRIPTION | DATE | BY | APPR |
| A1 | - | RELEASE | 25/MAR/19 | BROOK | TOMMY |
| A2 | - | MODIFIED DESCRIPTION | 12JUL19 | BROOK | TOMMY |



RECOMMENDED PCB LAYOUT

NOTES: UNLESS OTHERWISE SPECIFIED

- MATERIAL:
HOUSING: THERMOPLASTIC; COLOR: BLACK
CONTACT: COPPER ALLOY
PLATING: NICKEL UNDERPLATE
SEE CHART FOR OVERALL FINISH
- MODIFICATIONS: RIGHT ANGLE PCB MOUNT, SCREW BOSS
- SPECIFICATIONS:
3.1 CURRENT RATING: 13 AMPS
3.2 OPERATING TEMPERATURE: -55°C TO +125°C
3.3 DIELECTRIC WITHSTANDING VOLTAGE: LESS THAN 2 MILLIAMPS CURRENT LEAKAGE @ 1500 VOLTS AC.
3.4 INSULATION RESISTANCE: 1000 MEGOHMS MIN @ 25°C.
3.5 MOISTURE RESISTANCE: IP67 (MATED CONDITION)
3.6 MATING CYCLE DURABILITY: 100 CYCLES
3.7 RoHS COMPLIANT
- MATING PART: AT06-3S* PLUG
(* = MODIFICATIONS AND COLORS)
- ALL DIMENSIONS ARE FOR REFERENCE USE ONLY.



3x Ø1.96 x 9.0 DP
FOR ANSI SIZE #2 SCREWS
TORQUE: 2.1-3.1 IN-LB [0.24-0.35 NM]

| ATF13-3P-BM3X VARIANTS | |
|------------------------|--------------------|
| CONTACT PLATING | PART NUMBER |
| GOLD | ATF13-3P-BM31J1939 |
| TIN | ATF13-3P-BM33J1939 |

| | | | | | | |
|----------------------------------------------------------------------------------------------------------------------------------------------------------------------------------------------------------------------------------------------------------------------|------|---------------------|----------|-------------|----|---------------------------------------------------------------------------------------------------|
| SEE PART NUMBER CHART | | PART NUMBER | | DESCRIPTION | | ITEM |
| QUANTITY | | MATERIALS LIST | | | | |
| UNLESS OTHERWISE SPECIFIED | | | | | | |
| 1) All dimensions are in metric (mm). | | | | | | |
| 2) Tolerances are as follows: | | | | | | |
| 1 PL DEC ±0.30 Fractions ±1/64 | | | | | | |
| 2 PL DEC ±0.15 Angles ±1° | | | | | | |
| 3 PL DEC ±0.08 | | | | | | |
| 3) Note reference = | | | | | | |
| MATERIAL SPECIFICATIONS: | | SIGNATURES | | DATE | | <p>Sine Systems - www.amphenol-sine.com 44724 Morley Drive Clinton Township, MI 48036</p> |
| PROCESS SPECIFICATIONS: | | DRAWN: BROOKING | | 12/JUL/19 | | |
| NEXT ASSY: | | CHECKED: ORION LI | | 12/JUL/19 | | |
| | | ENGINEER: | | | | |
| | | APPROVAL: TOMMY XIE | | 12/JUL/19 | | <p>RIGHT ANGLE RECEPTACLE, AT 3 PIN, SCREW BOSS, BOARDLOCK, EXT. HGT</p> |
| | | CUSTOMER: | | | | |
| THIS DRAWING IS SUPPLIED FOR INFORMATION ONLY. DESIGN FEATURES, SPECIFICATIONS AND PERFORMANCE DATA SHOWN HEREON ARE THE PROPERTY OF THE AMPHENOL CORPORATION. NO RIGHTS OF REPRODUCTION ARE IMPLIED. ALL DIMENSIONS ARE SUBJECT TO NORMAL MANUFACTURING VARIATIONS. | | | | | | |
| SIZE | TYPE | DWG NO. | REVISION | | A2 | |
| B | C- | ATF13-3P-BM3XJ1939 | | | | |
| SCALE | NONE | SHEET 1 OF 1 | | | | |

TITLE: RIGHT ANGLE RECEPT, AT 3 PIN, SCREW BOSS, BOARDLOCK, EXT. HGT
DWG NO.: ATF13-3P-BM3XJ1939
REV: A2
SH: 1
OF: 1

Mouser Electronics

Authorized Distributor

Click to View Pricing, Inventory, Delivery & Lifecycle Information:

[Amphenol:](#)

[ATF13-3P-BM31J1939](#)