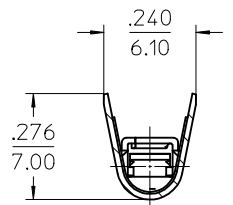
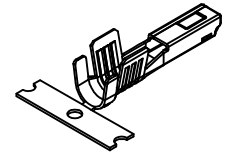
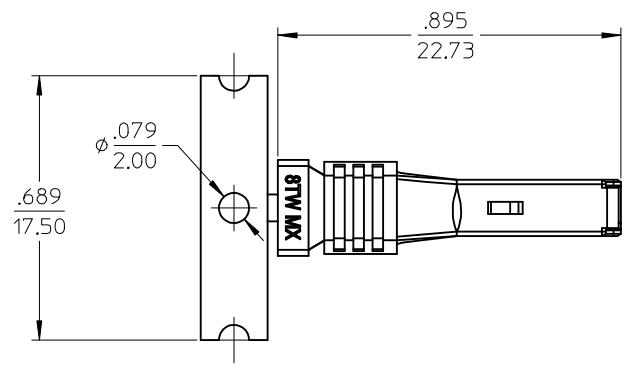
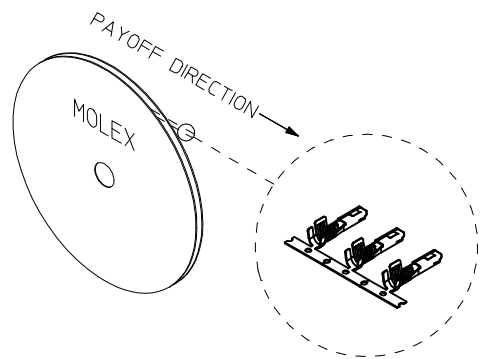
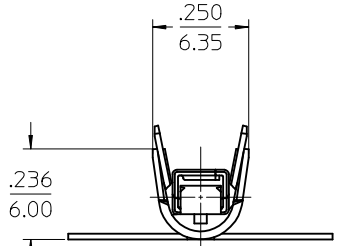


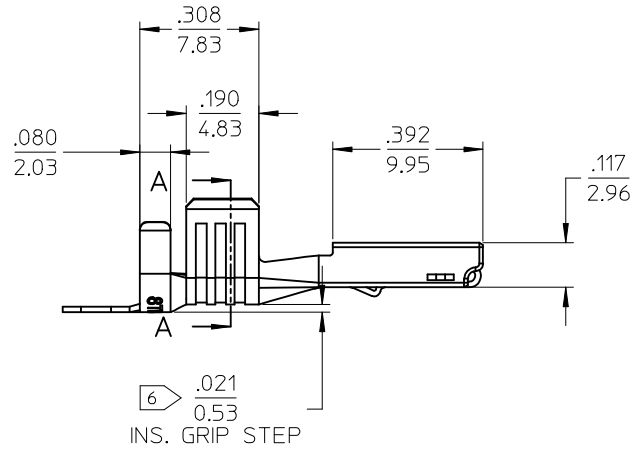
STRIP MATERIAL NUMBER	LOOSE PIECE MATERIAL NUMBER	AWG SIZE	WIRE INSULATION DIAMETER
194340005	194340006	8 TW	.153-.191* (3.90-4.85MM)



SECTION A-A
CONDUCTOR GRIP



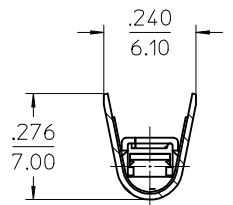
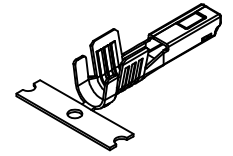
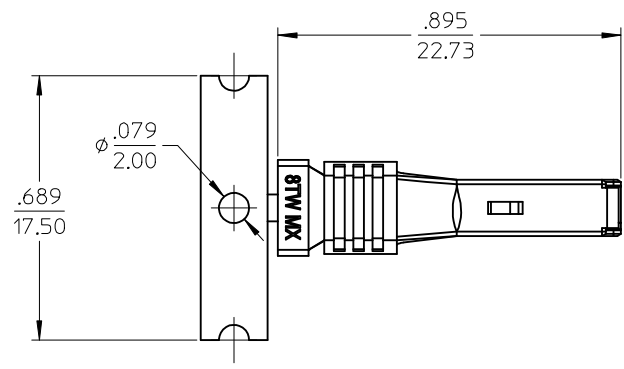
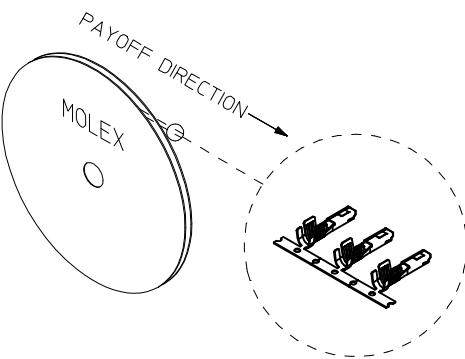
INSULATION GRIP



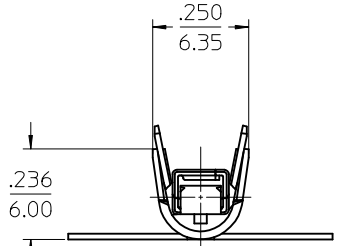
- NOTES:
- MATERIAL: COPPER ALLOY.
 - FINISH: PREPLATED AND REFLOWED OVERALL. 100μ TIN OVER 50μ NICKEL, MINIMUM.
 - TERMINALS NOT FOR USE WITH 19432**** RECEPTACLE HOUSINGS.
 - PACKAGING SPECIFICATION: PK-19434-001 FOR LOOSE TERMINALS. STRIP PARTS ARE REELED 2000 TERMINALS PER REEL. (B)
 - APPLICATION TOOLING AND CRIMP SPECIFICATIONS: CONSULT FACTORY
 - INSULATION GRIP STEP DIMENSION NOT TO BE ALTERED BY CRIMP PROCESS.
 - ALL DIMENSIONS ARE REFERENCE.

CHG REEL QTY FROM 2500 EC NO: IPG2015-0205 DRAWN/LEUNG 2014/07/31 CHKD:WOLDEGE 2014/07/31 APPR:BMWOODMAN 2014/08/12	QUALITY SYMBOLS ▽=0 ▽=0	GENERAL TOLERANCES (UNLESS SPECIFIED)	DIMENSION STYLE IN/MM	SCALE 4:1	DESIGN UNITS INCH	THIRD ANGLE PROJECTION																
		<table border="1"> <tr> <th></th> <th>mm</th> <th>INCH</th> </tr> <tr> <td>4 PLACES</td> <td>± .005</td> <td>± .001</td> </tr> <tr> <td>3 PLACES</td> <td>± .005</td> <td>± 0.10</td> </tr> <tr> <td>2 PLACES</td> <td>± 0.25</td> <td>± .02</td> </tr> <tr> <td>1 PLACE</td> <td>± 0.5</td> <td>± .05</td> </tr> <tr> <td>0 PLACE</td> <td>± .005</td> <td>± .001</td> </tr> </table>		mm	INCH	4 PLACES	± .005	± .001	3 PLACES	± .005	± 0.10	2 PLACES	± 0.25	± .02	1 PLACE	± 0.5	± .05	0 PLACE	± .005	± .001	DRAWN BY WLEUNG	DATE 2012/11/26
	mm	INCH																				
4 PLACES	± .005	± .001																				
3 PLACES	± .005	± 0.10																				
2 PLACES	± 0.25	± .02																				
1 PLACE	± 0.5	± .05																				
0 PLACE	± .005	± .001																				
			CHECKED BY BRUPERT	DATE 2013/09/06																		
			APPROVED BY JFMURPHY	DATE 2013/12/26			DOCUMENT NO. SD-19434-002	SHEET NO. 1 OF 1														
			ANGULAR ± 3°		SEE CHART																	
			DRAFT WHERE APPLICABLE MUST REMAIN WITHIN DIMENSIONS				THIS DRAWING CONTAINS INFORMATION THAT IS PROPRIETARY TO MOLEX INCORPORATED AND SHOULD NOT BE USED WITHOUT WRITTEN PERMISSION															

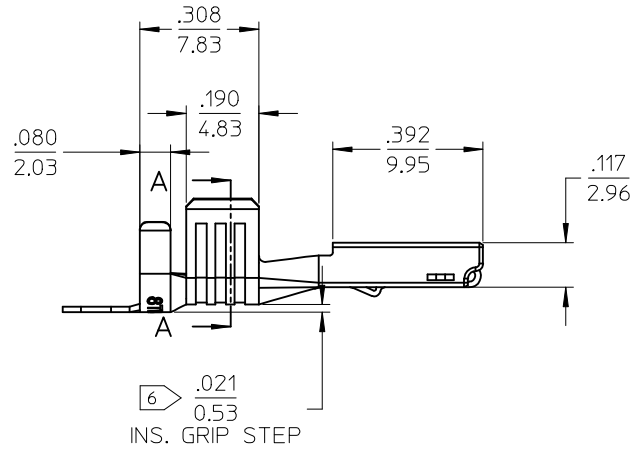
STRIP MATERIAL NUMBER	LOOSE PIECE MATERIAL NUMBER	AWG SIZE	WIRE INSULATION DIAMETER
194340005	194340006	8 TW	.153-.191* (3.90-4.85MM)



SECTION A-A
CONDUCTOR GRIP



INSULATION GRIP



- NOTES:
1. MATERIAL: COPPER ALLOY.
 2. FINISH: PREPLATED AND REFLOWED OVERALL. 100μ TIN OVER 50μ NICKEL, MINIMUM.
 3. TERMINALS NOT FOR USE WITH 19432**** RECEPTACLE HOUSINGS.
 4. PACKAGING SPECIFICATION: PK-19434-001 FOR LOOSE TERMINALS. STRIP PARTS ARE REELED 2000 TERMINALS PER REEL. (B)
 5. APPLICATION TOOLING AND CRIMP SPECIFICATIONS: CONSULT FACTORY
 - 6 INSULATION GRIP STEP DIMENSION NOT TO BE ALTERED BY CRIMP PROCESS.
 7. ALL DIMENSIONS ARE REFERENCE.

CHG REEL QTY FROM 2500	EC NO: IPG2015-0205	2014/07/31
	DRW:WLEUNG	2014/07/31
REV	CHKD:WLODEGE	2014/07/31
	APPR:BWODMAN	2014/08/12

QUALITY SYMBOLS	▽=0
	▽=0
GENERAL TOLERANCES (UNLESS SPECIFIED)	mm
	INCH
DRAFT WHERE APPLICABLE MUST REMAIN WITHIN DIMENSIONS	4 PLACES ± --- ± ---
	3 PLACES ± --- ± 0.10
	2 PLACES ± 0.25 ± .02
	1 PLACE ± 0.5 ± ---
	0 PLACE ± --- ± ---
ANGULAR ± 3 °	

DIMENSION STYLE		SCALE	DESIGN UNITS	THIRD ANGLE PROJECTION
IN/MM		4:1	INCH	
DRAWN BY	DATE	TITLE		
WLEUNG	2012/11/26	MX150L FEMALE TERMINAL		
CHECKED BY	DATE	8AWG TW		
BRUPERT	2013/09/06	(THIN WALL INSULATION)		
APPROVED BY	DATE	molex		
JFMURPHY	2013/12/26			
MATERIAL NO.		DOCUMENT NO.		SHEET NO.
SEE CHART		SD-19434-002		1 OF 1
SIZE	THIS DRAWING CONTAINS INFORMATION THAT IS PROPRIETARY TO MOLEX INCORPORATED AND SHOULD NOT BE USED WITHOUT WRITTEN PERMISSION			
C				

Mouser Electronics

Authorized Distributor

Click to View Pricing, Inventory, Delivery & Lifecycle Information:

[Molex:](#)

[19434-0005](#)